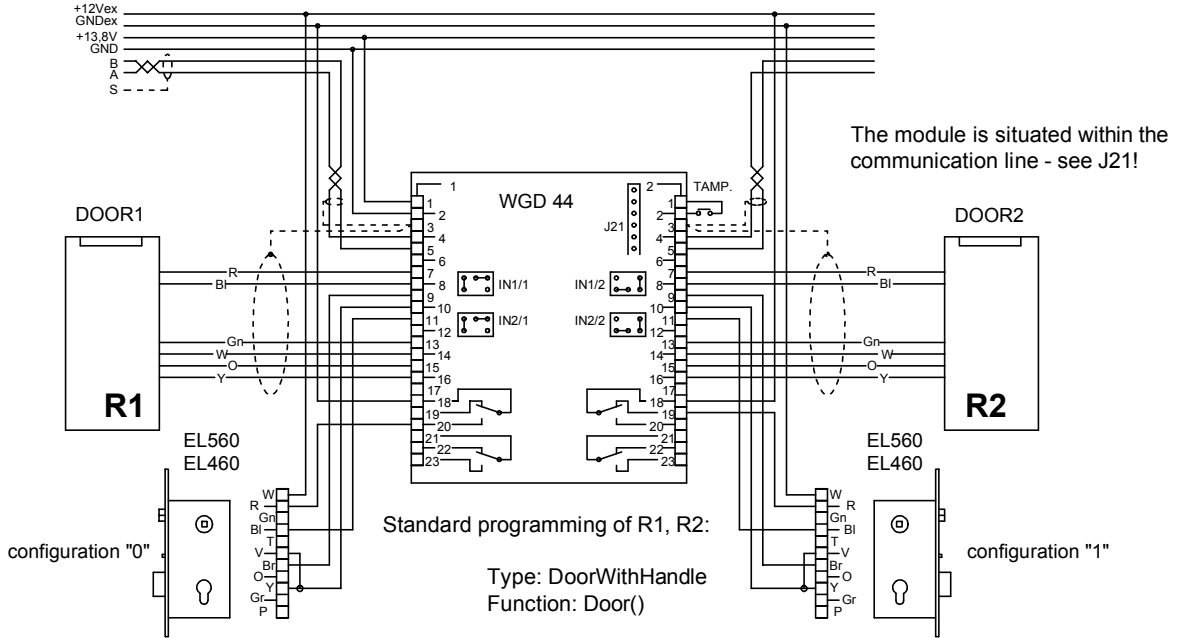


A



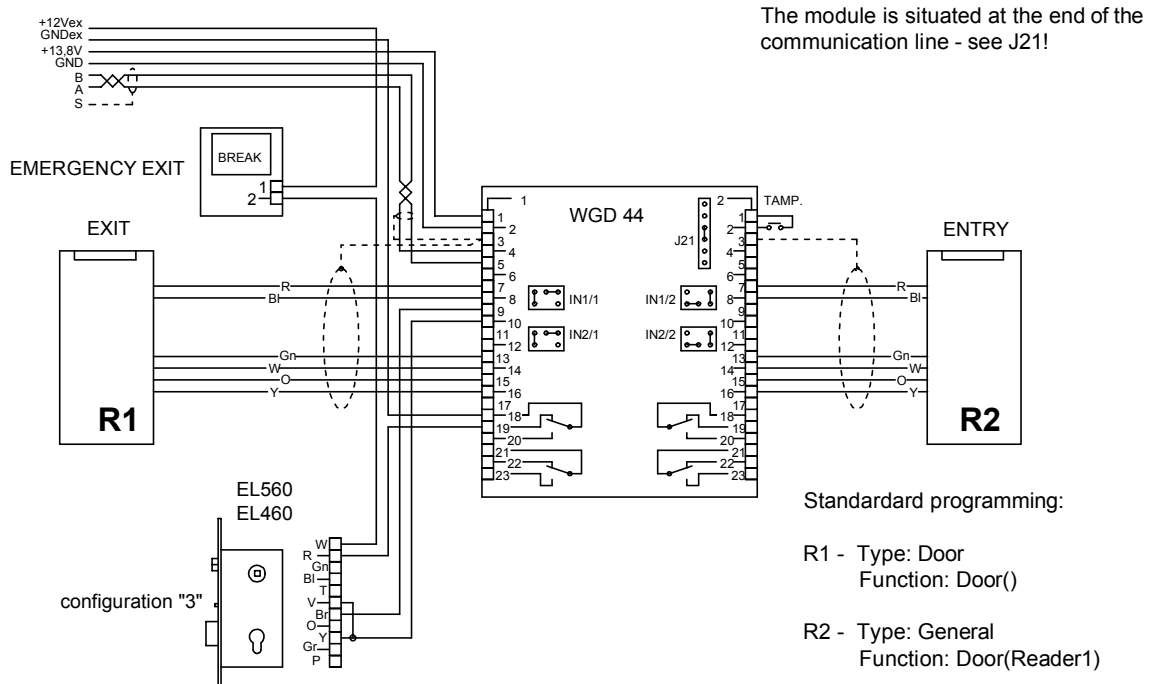
Standard wiring diagram of the module for two doors control using electric locks ABLOY.

Door 1 is controlled by the lock in configuration "0" (fail - secure), Door 2 by the lock in configuration "1" (fail - safe).

Inside handle of the both doors works in "antipanic" mode.

Both locks generate all necessary control signals (door status, handle status).

B



Standard wiring diagram of WGD44 for double sided control of single door using electric lock ABLOY in configuration "3" (fail - safe).

Emergency exit button ensures free exit in case of system malfunction.

Note 1: All unused inputs and outputs can be used for other system purposes - see APS Config manual!

Note 2: Colors of particular wires refere to HID readers!