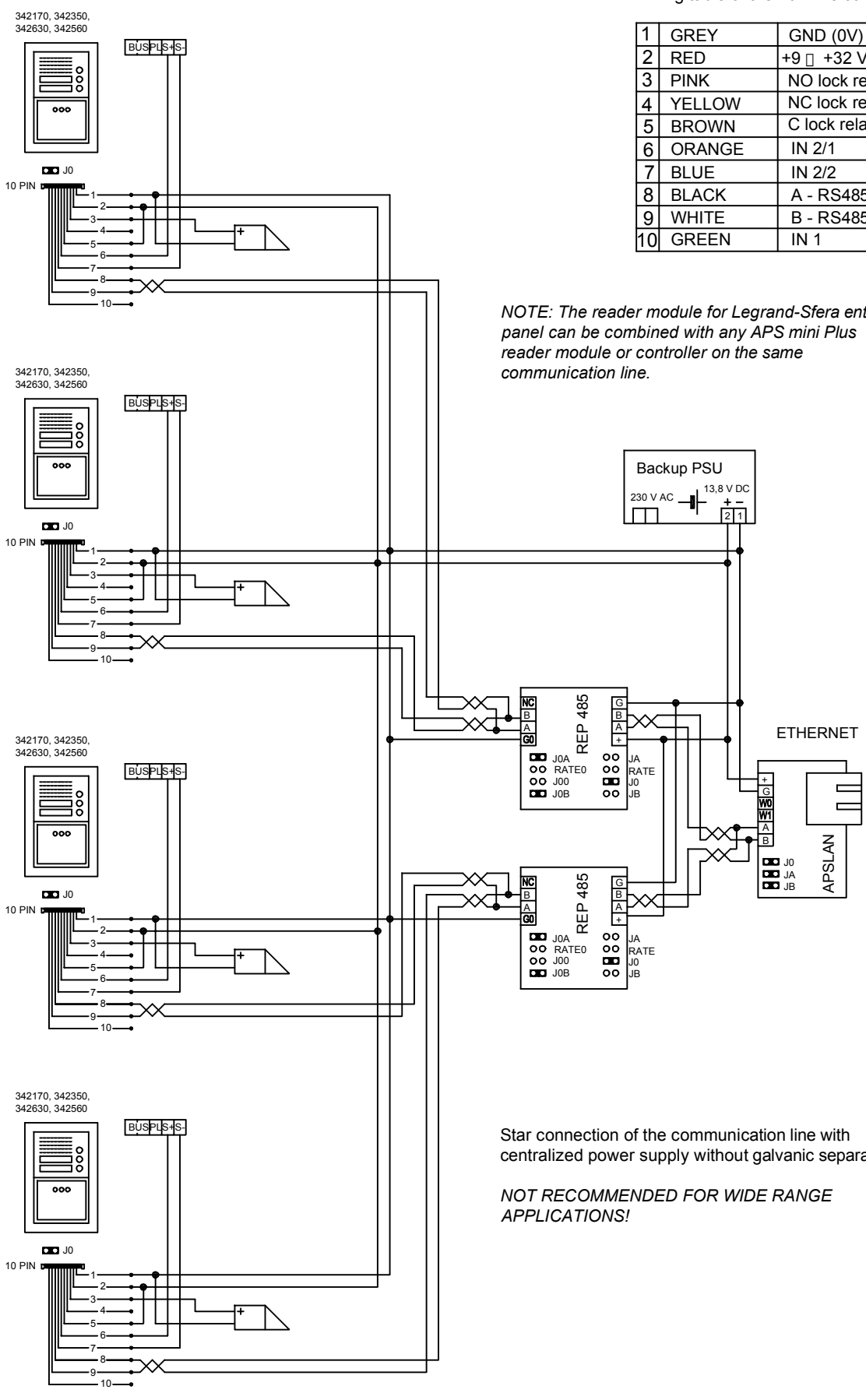


Wiring table of the 10 PINs connector:

1	GREY	GND (0V)
2	RED	+9 V +32 V DC
3	PINK	NO lock relay
4	YELLOW	NC lock relay
5	BROWN	C lock relay
6	ORANGE	IN 2/1
7	BLUE	IN 2/2
8	BLACK	A - RS485
9	WHITE	B - RS485
10	GREEN	IN 1

NOTE: The reader module for Legrand-Sfera entry panel can be combined with any APS mini Plus reader module or controller on the same communication line.



Star connection of the communication line with centralized power supply without galvanic separation.
NOT RECOMMENDED FOR WIDE RANGE APPLICATIONS!