

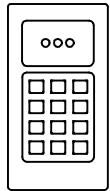
The AREP 78 reader module connected into a third party access control system together with e.g. HID Prox readers.

The AREP 78 is set into the WIEGAND operating mode.

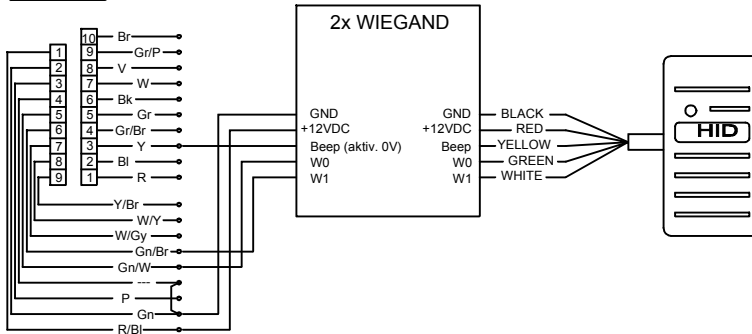
10 PIN Connector / Pigtail - Wiring Table:

| | | |
|----|------------|------------------|
| 1 | RED | +13V pow. supply |
| 2 | BLUE | 0 V pow. supply |
| 3 | YELLOW | Input 1 |
| 4 | GREY/BROWN | 0 V |
| 5 | GREY | Input 2 |
| 6 | BLACK | A - RS485 |
| 7 | WHITE | B - RS485 |
| 8 | VIOLET | NO lock relay |
| 9 | GREY/PINK | NC lock relay |
| 10 | BROWN | C lock relay |

WIEGAND



HOST CONTROLLER



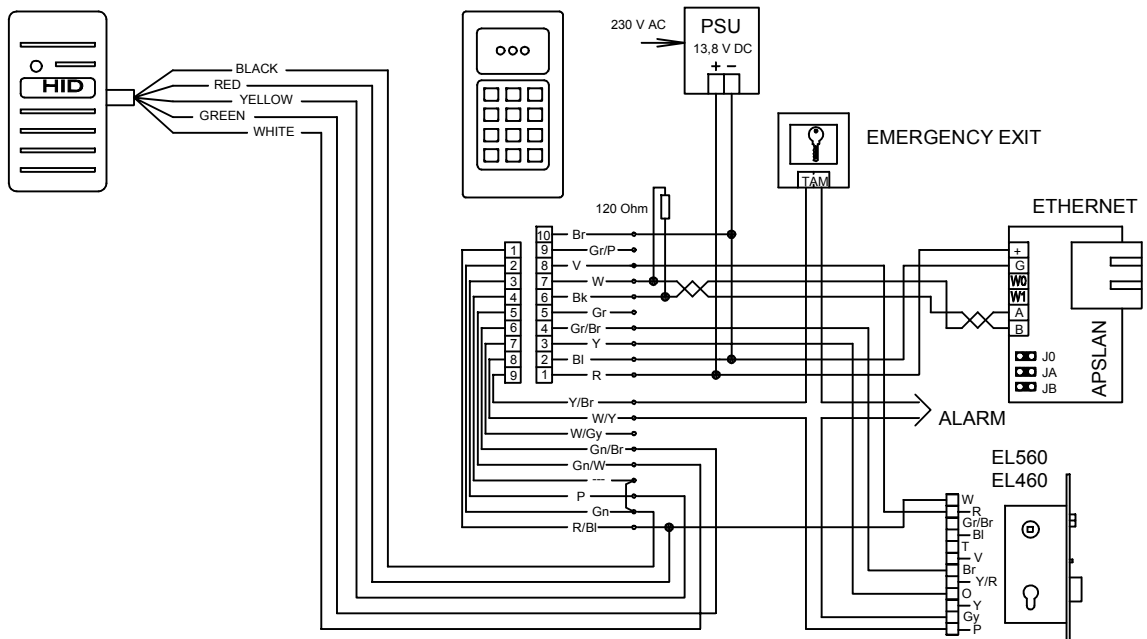
9 PIN Connector / Pigtail - Wiring Table:

| | | |
|---|--------------|------------------|
| 1 | RED/BLUE | +13 V |
| 2 | GREEN | 0 V |
| 3 | PINK | Input / Output 3 |
| 4 | ---- | 0 V |
| 5 | GREEN/WHITE | Wiegand 0 |
| 6 | GREEN/BROWN | Wiegand 1 |
| 7 | WHITE/GREY | NO alarm relay |
| 8 | WHITE/YELLOW | NC alarm relay |
| 9 | YELLOW/BROWN | C alarm relay |

Doble side door control with HID Prox reader and fail-secure electromechanical lock ABLOY.

WIEGAND

STANDARD WITH ENTRANCE READER CONTROL



Lock configuration "2"

APS mini PLUS
Access Control System

MREP 78 READER MODULE WIRING DIAGRAMS

TECH FASS s.r.o.

Plavecka 503, 252 42 JESENICE
tel./fax: +420 241 931 303, +420 241 931 192
e-mail: techfass@techfass.cz, url: http://www.techfass.cz/

USE OF THE MODULE IN 3RD PARTY SYSTEMS AND WITH 3RD PARTY READER

Date: 06/2011

MiniPLUS-MREP78.7