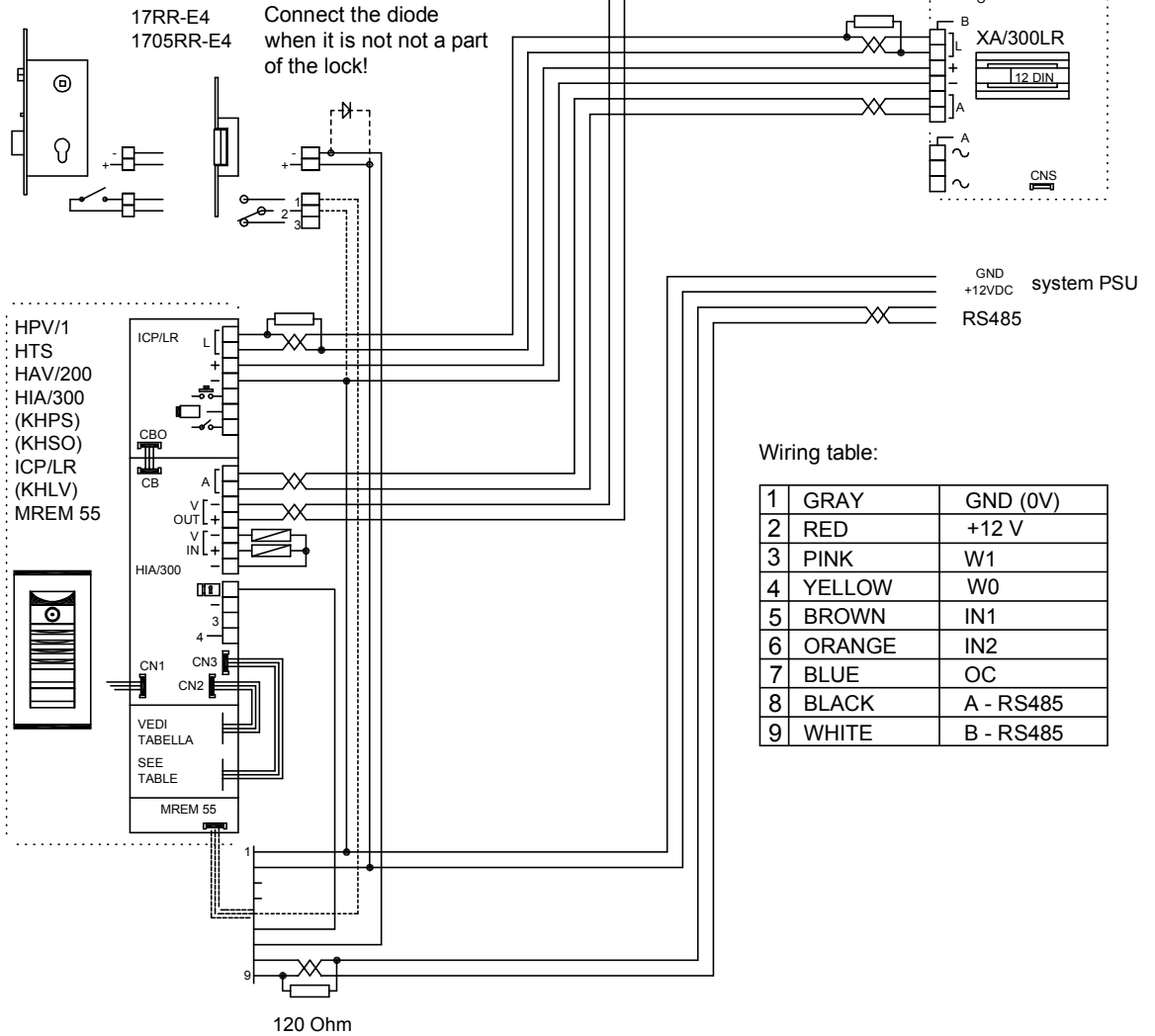


Configuration of IN2: "REX button"



Standard wiring diagram of the reader module using door opener (fail - secure).

Door status is defined by the opener door status contact connected to IN1 (closed when door is shut).

The emergency box with key allows anybody to leave the room in case of system malfunction.

The REX button (NO) is connected to IN2 input in parallel with the door control voltage of HIA/300 interface.