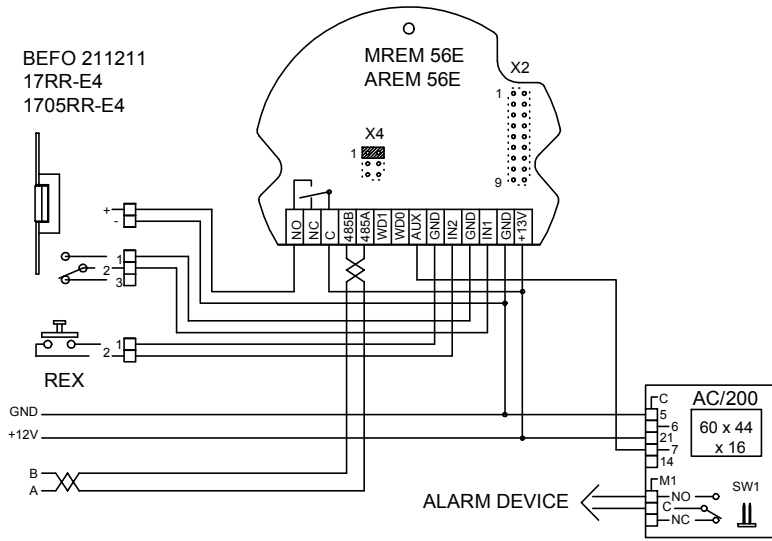
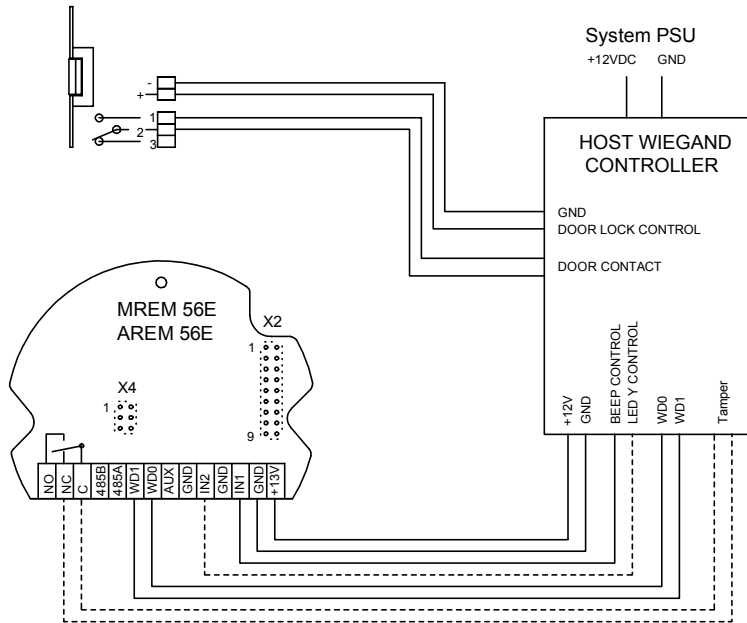


A



Connecting an alarm device using the AUX output and transistor relay AC/200.

B



Connection of the module in Wiegand mode.