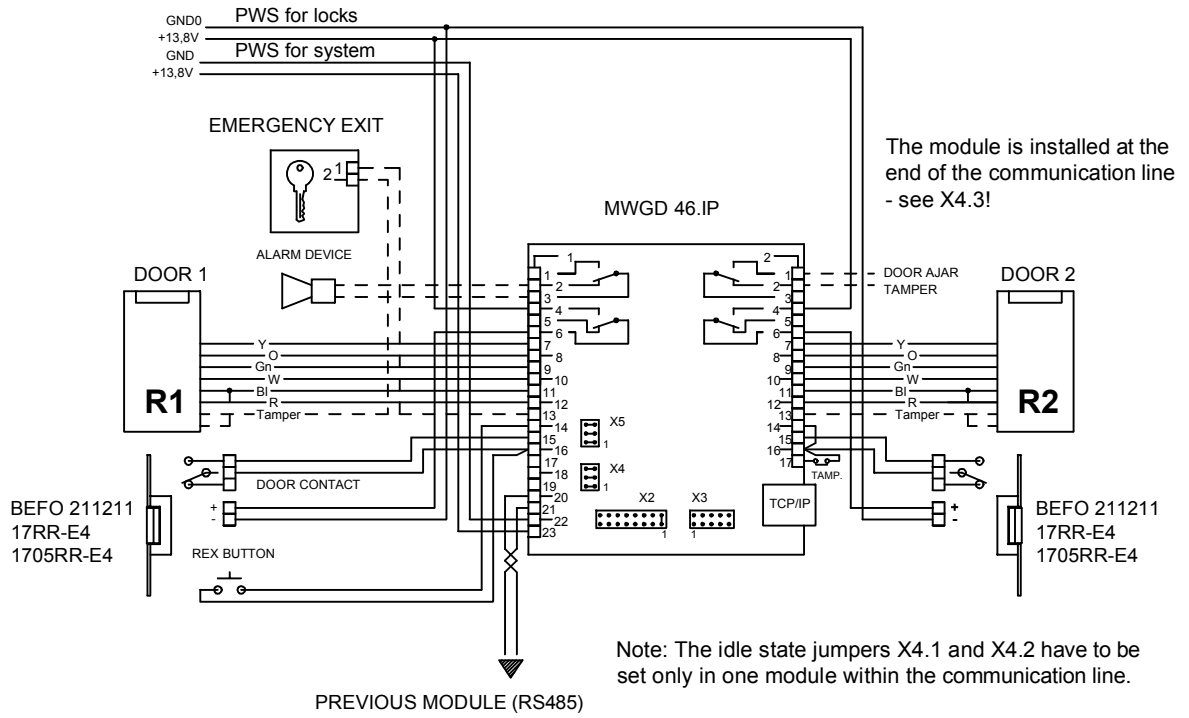
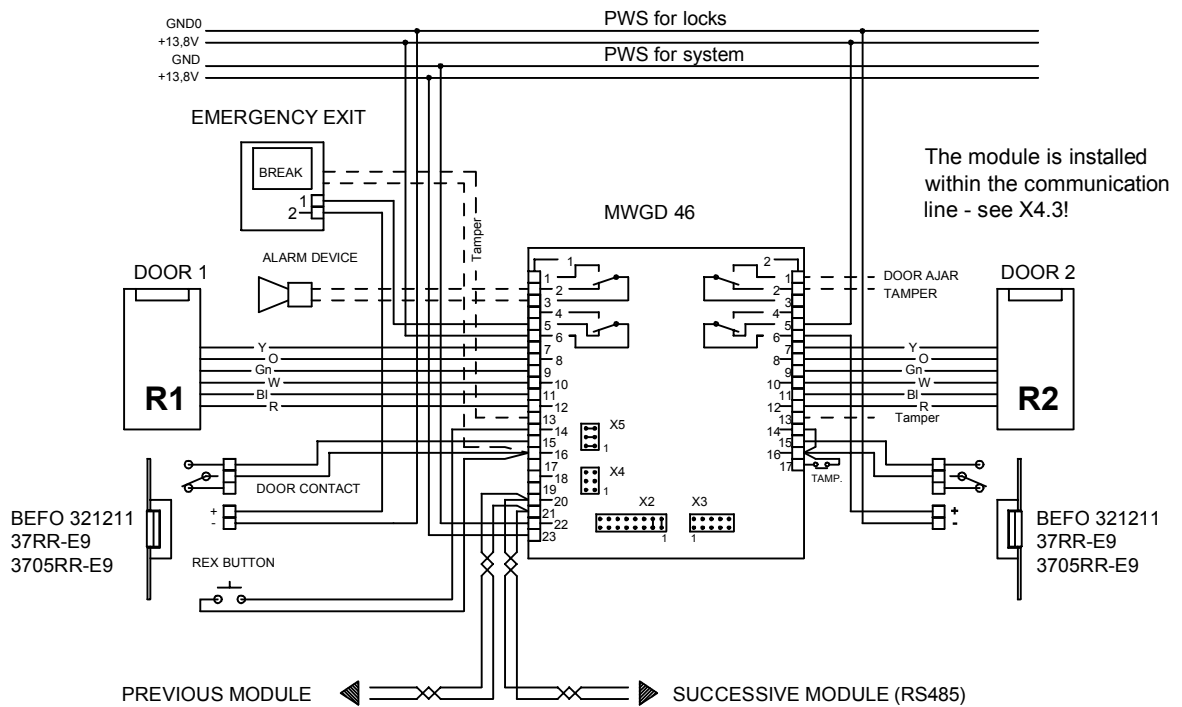


A



B



Standard wiring diagram of the dual reader controller for two doors control using door openers (A - fail-secure, B - fail-safe).

Door 1 - "knob-knob" door fittings, IN2 configured as "REX button", door status is defined by opener door monitoring contact.

Door 2 - "knob-handle" door fittings without handle status contact, IN2 configured as "handle", door status is defined by opener door monitoring contact.

Note: The IN2 input has to be permanently closed and configured like "Handle" - see the configuration of IN2/2. In this case the "Forced Door" alarm signal can't be activated.

Note 1: Colors of particular wires refer to HID readers!

Note 2: This drawing is valid for FW version 4.10 and higher!

APS mini PLUS
Access Control System

MWGD 46 DOOR CONTROLLER WIRING DIAGRAMS

TECH FASS s.r.o.

Plavecka 503, 252 42 JESENICE
tel./fax: +420 241 931 303, +420 241 931 192
e-mail: techfass@techfass.cz, url: http://www.techfass.cz/

TWO DOOR CONTROL WITH DOOR OPENERS

Date: 12/2009

MINI-MWGD46.01a